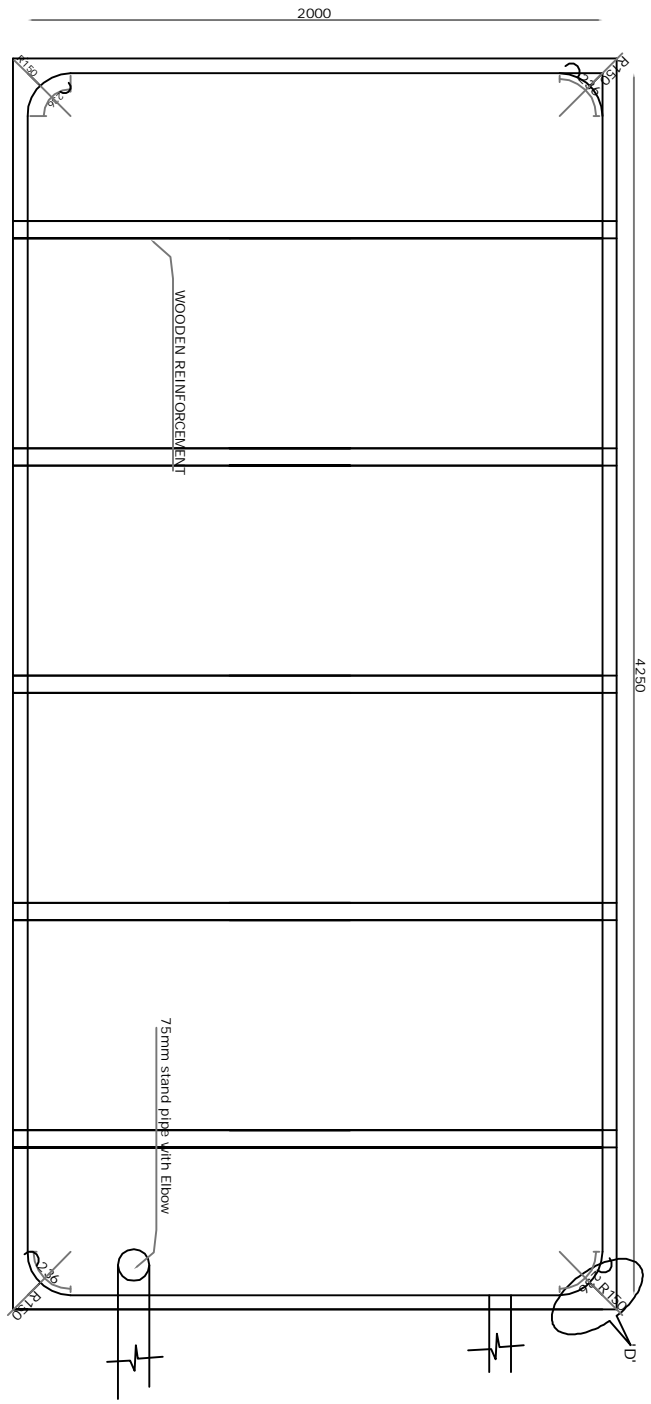
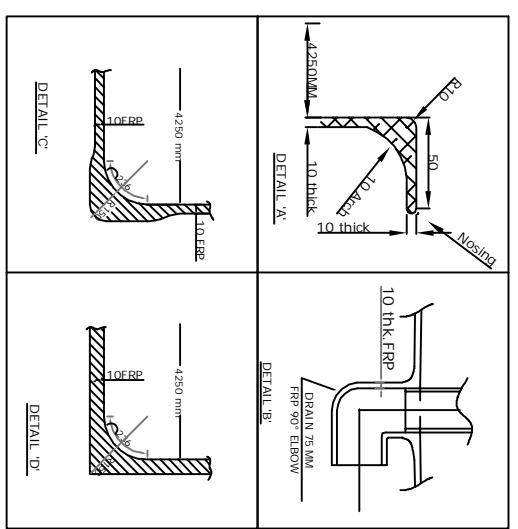


SECTIONAL ELEVATION



PLAN



REFERENCE

01.	DIMENSIONS	All in M.M.
02.	TANK SHAPE	RECTANGLE
03.	QUANTITY	03 NOS.
04.	MATERIAL OF CONSTRUCTION	FRP. (FOOD GRADE)
05.	TANK SIZE	4250 X 2000MM
06.	WALL THICKNESS	10 MM
07.	RIB SIZE	50 (ALL ROUND WITH NOSING)
08.	OUTSIDE SURFACE PIGMENT	GRAY / WHITE
09.	INSIDE SURFACE PIGMENT	ASH BLACK
10.	CAPACITY	8500 LIT
11.	REINFORCEMENT	FRP & SEASONED PADAIK WOOD
12.	DRAIN DETAIL	75 MM STAND PIPE WITH ELBOW & BALL VALVE
RAJIV GANDHI CENTRE FOR AQUACULTURE (RGCA)		
PROJECT : MUDGAR HATCHERY		
TITLE : - BROOD STOCK HOLDING TANKS		

