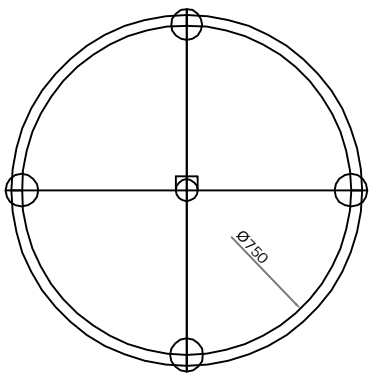
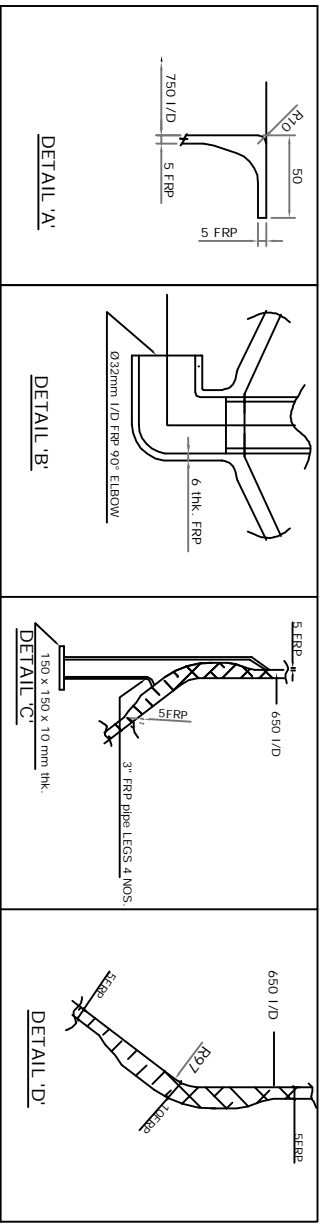


SECTIONAL ELEVATION



PLAN



REFERENCE



01.	DIMENSIONS	All in M.M.
02.	TANK SHAPE	CONICAL
03.	QUANTITY	02 NOS.
04.	MATERIAL OF CONSTRUCTION	FRP. (FOOD GRADE)
05.	TANK SIZE	750 TOP, 650 BOTTOM (I/D)
06.	COLLECTION TANK SIZE	650 TOP, 32 BOTTOM (I/D)
07.	WALL THICKNESS	5 MM
08.	RIB SIZE	50 (ALL ROUND WITH NOSING)
09.	OUTSIDE SURFACE PIGMENT	GRAY / WHITE
10.	INSIDE SURFACE PIGMENT	WHITE
11.	CAPACITY	300 LIT
12.	REINFORCEMENT	FRP
RAJIV GANDHI CENTRE FOR AQUACULTURE (RGCA)		
PROJECT : SEABASS & MUD CRAB HATCHERY PROJECT		
TITLE : - ARTEMIA HATCHING TANKS		